
POLISH-AMERICAN ENGINEERS ASSOCIATION

FOUNDED



IN 1934

P.O. Box 241, Northbrook, IL 60065-241, USA • www.polishengineers.org

All members and friends of Polish-American Engineers Association are cordially invited to attend our meeting.

DATE: Friday, September 25th, 2020

TIME: Business Meeting begins 8:00 p.m.; Presentation to follow immediately

PLACE: virtual meeting via **Zoom** (not Skype, as before):

<https://us04web.zoom.us/j/7021331458?pwd=ai9IMWc3K2IrMFNUSU9IeEkrWFJidz09>

Meeting ID: 702 133 1458

Passcode: CQQ1P0

SPEAKERS: Mr. Nicholas Poplawski

TOPIC: Energy Utility Transformation



Mr. Nicholas Poplawski

Mr. Nicholas Poplawski has worked on renewable energy and energy efficiency projects for over a decade. He previously worked at Illinois Clean Energy, a fund supporting community-scale energy efficiency and renewable energy projects throughout Illinois. He was also a program implementation consultant to Commonwealth Edison. Mr. Poplawski currently works on developing utility-scale wind and solar projects.

ABSTRACT

The power business is seeing a transformation, and utilities are integrating more renewable energy, energy storage, and other technologies. This is an overview of these transformational technologies.

PAEA Announcements

MEETING LOCATION

Due to the current situation with COVID-19, our May meeting will be held virtually, via **Zoom** (not Skype, as before):

<https://us04web.zoom.us/j/7021331458?pwd=ai9IMWc3K2IrMFNUSU9IeEkrWFJidz09>

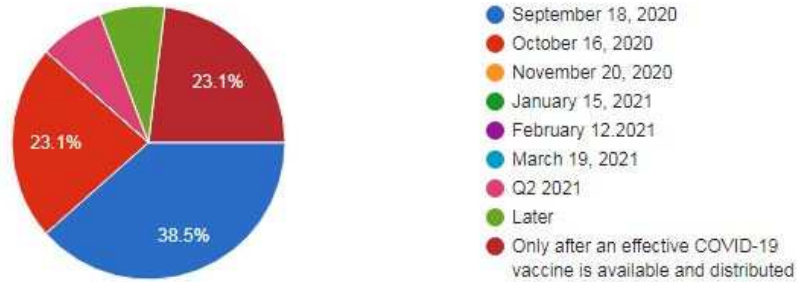
Meeting ID: 702 133 1458

Passcode: CQQ1P0

The results of the survey (same as published September 16th) to date are as follows:

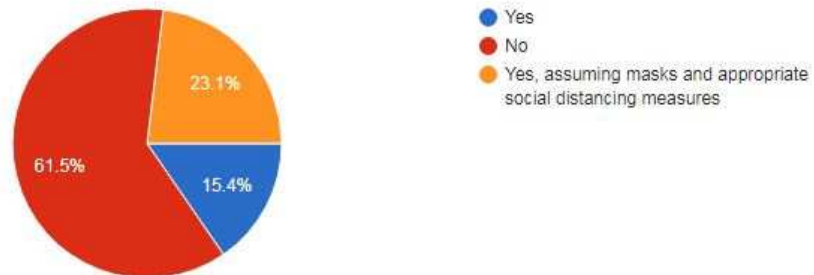
When would you be comfortable attending a first PAEA meeting in person (assuming masks mandatory)?

13 responses



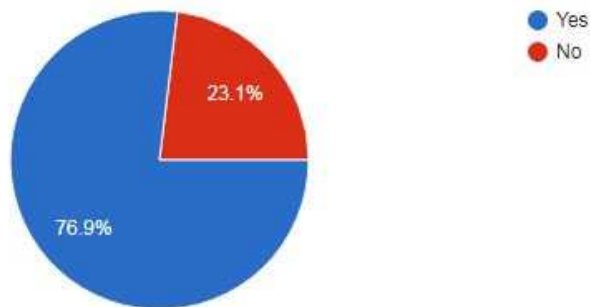
Would you attend an in-person Christmas Celebration in December 2020?

13 responses



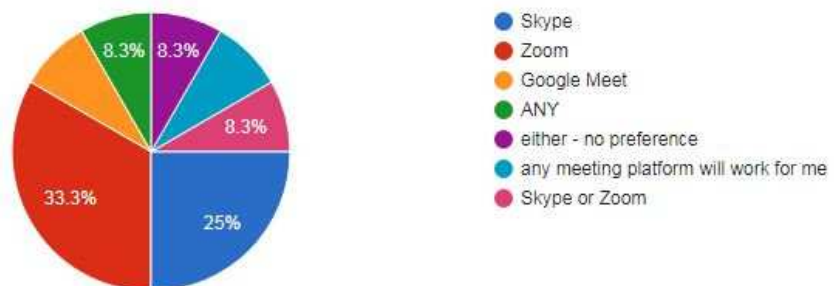
Would you attend virtual meetings (in place of in-person meetings)?

13 responses



What is your preferred virtual meeting platform?

12 responses



Stanley was born near Warsaw, Poland, and his young life was transformed by the horrors of World War II, yet bittersweet luck made him a survivor. In 1940, his sister and brother were sent as forced labor to Germany; Stanley, at age 14, was too young to be sent as well. The following year, he joined the underground resistance through the Catholic church, distributing pamphlets describing German atrocities.

On September 19, 1941, at age 15, he was caught by the Gestapo and taken to Pawiak prison, where he was tortured and interrogated. From there, as prisoner number 164924, he was taken to Auschwitz, and then Mauthausen-Gusen in Austria. He worked at a quarry, hauling 50 pound rocks down steep steps. Having caught pneumonia under these harsh conditions, he was secretly allowed to rest enough so that the illness passed. On three occasions, he was to have gone to the gas chambers, but due to various circumstances – air raids or bombings, he did not. He survived, so that on May 8, 1945, on his name's day, he and the camp were liberated.

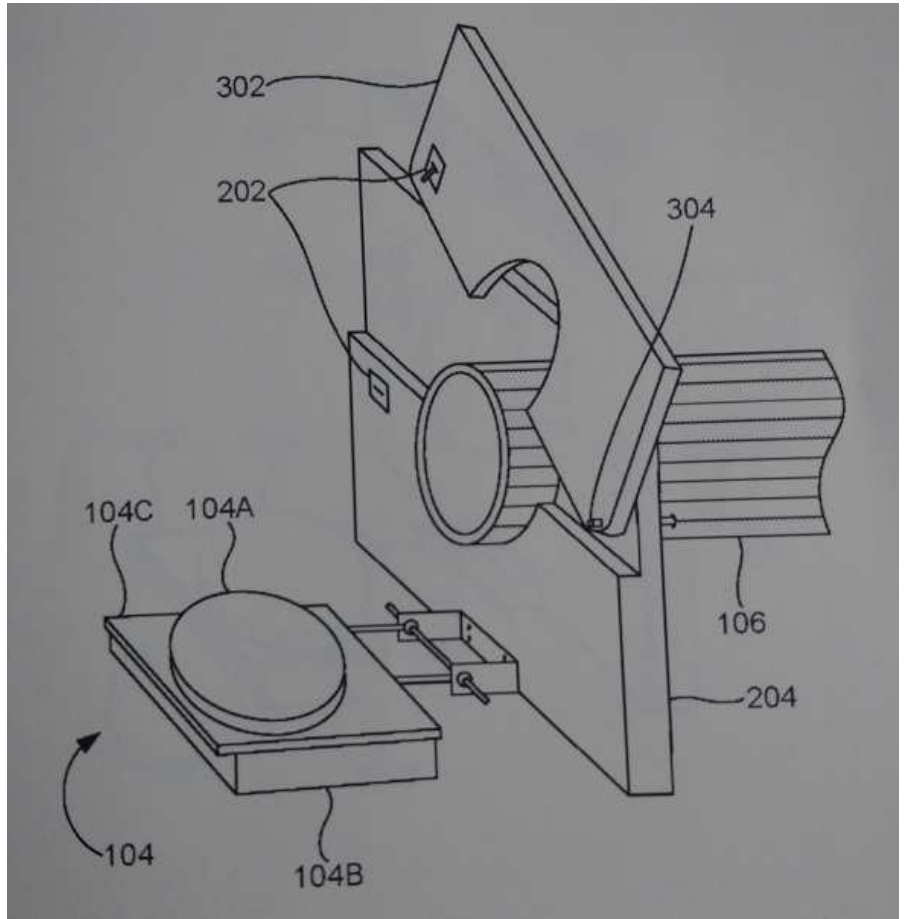
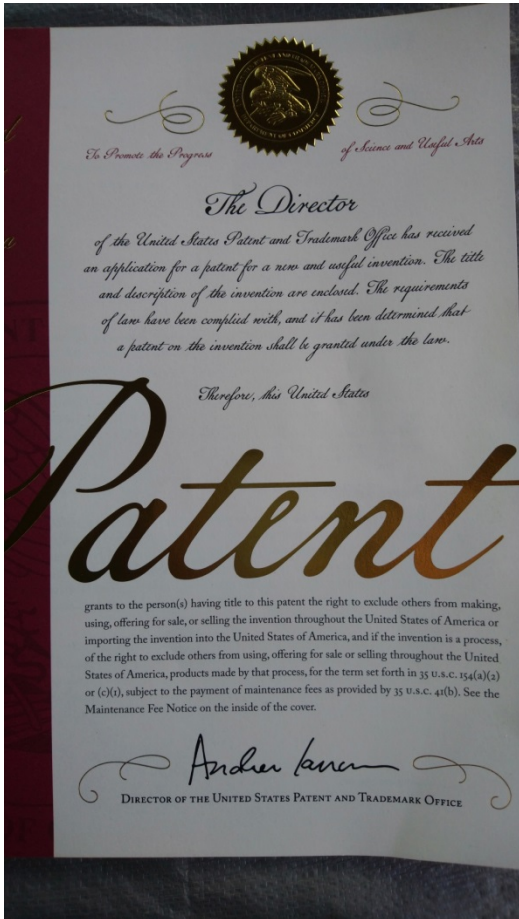
Lyskanowski requested to be sent to Italy in September 1945 to join the Polish Army under General Anders. By chance, one of the commanding officers knew his father; Lyskanowski became this officer's chauffeur. Once disbanded, he with the troops were relocated to Great Britain. He had hoped to return to a free Poland. When it became apparent this would not be possible, Lyskanowski received a visa to immigrate to the United States, arriving via New York in 1952, and settling in Chicago. He worked hard and earned a degree in electronics, and in 1961, married his beloved Josephine. Active in Chicago's Polonia as a member of the PMA as well as the Polish American Engineers Association – he often shared his life story, including at the PMA during the 2014 “Forbidden Art” exhibition and in a [profile](#) by the Chicago Reader.

Lyskanowski is survived by his wife Josephine of 58 years, children Lidia and Arthur, grandchildren Sofia, Katrina and Adam, nephews, nieces and cousins in Poland.

A celebration of life will be held at Immaculate Conception Church (7211 W. Talcott Ave., Chicago, IL 60631) on Thursday, August 27, 2020 at 10:30am. At the family's request, in lieu of flowers, please make donations to the Polish Museum of America (984 N. Milwaukee Ave., Chicago, IL 60642).

<https://www.polishmuseumofamerica.org/stanley-w-lyskanowski/>

On a very positive note, our long-time Member and supporter, Mr. Adam Czyszczon was awarded a United States Patent this month!



Mr. Czyszczon's innovation is in the area of backflow control in water and sewer systems.

We congratulate Mr. Czyszczon! And we hope he will be willing to explain his patent, and patent experience, to us at one of our upcoming meetings.

Also on a very positive note, Anna & Andrzej Pawlowski welcomed their daughter, Emilia, 1 September (8 lbs. 2.5 oz.; 20.5")! Everyone is gratefully doing well.



Polish American Congress of Illinois Events Calendar

For a comprehensive and up-to-date listing of events in Polonia, please see the PAC-IL Polonia Calendar (many thanks to Mirek Niedzinski, Roman Korczak and the PAC-IL team for leading!):

<https://www.pacillinois.org/calendar/>

www.polishengineers.org